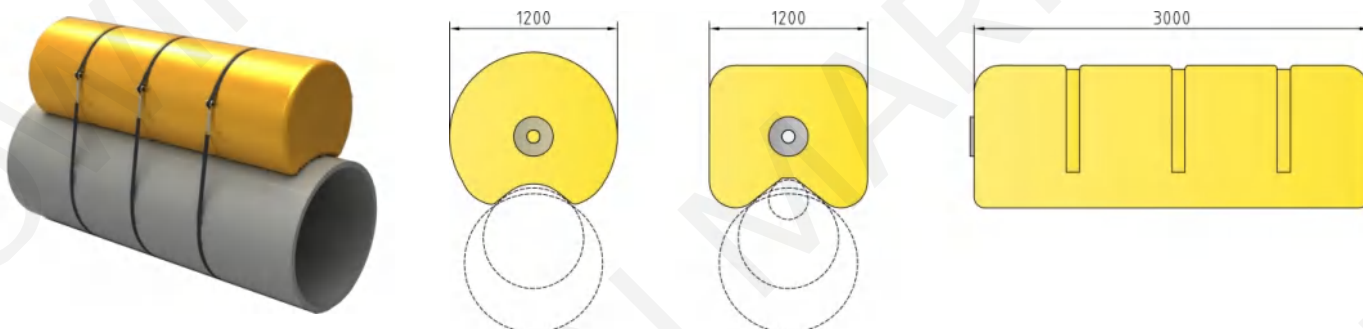


## PIPE LAYING FLOATS

The pipeline foam buoys can be strapped to the pipeline to reduce the tension and weight as pipeline installation buoyancy. The pipe-laying float modules also can be used to provide buoyancy when pulling the pipeline underwater.

We manufacture various pipeline foam buoys to provide the best float solution for the different pipe laying buoyancy requirements. We make the shallow water and deep water pipe laying floaters down to 3000msw.

To meet the different customer's requirements, we are making the pipeline foam buoys in two different buoyancy modules. One-piece float and modular floats. Our pipeline foam buoys are fabricated with the different density closed cell foam cell depending on the depth requirement, covered by polyethylene skin/polyurethane elastomer outer skin. The skin also can be reinforced by nylon filament upon request. Each buoyancy modules have banding grooves to secure the buoys to the pipeline. The end fitting can be designed for the easy handling operation.



Model	Width (mm)	Height (mm)	Length (mm)
PARAL 2500	800	900	2500
PARAL 3000	1000	900	3000
OVAL 1100	1100	1100	1100
OVAL 1200	1100	1100	1200
OVAL 1400	1100	1100	1400
OVAL 2400	1100	1100	2400
OVAL 3600	1100	1100	3600
OVAL 4800	1100	1100	4800

